

**Spare parts list**  
**(5.970-841.0) Spare parts list K2.38 / K2.180**

## Table of contents

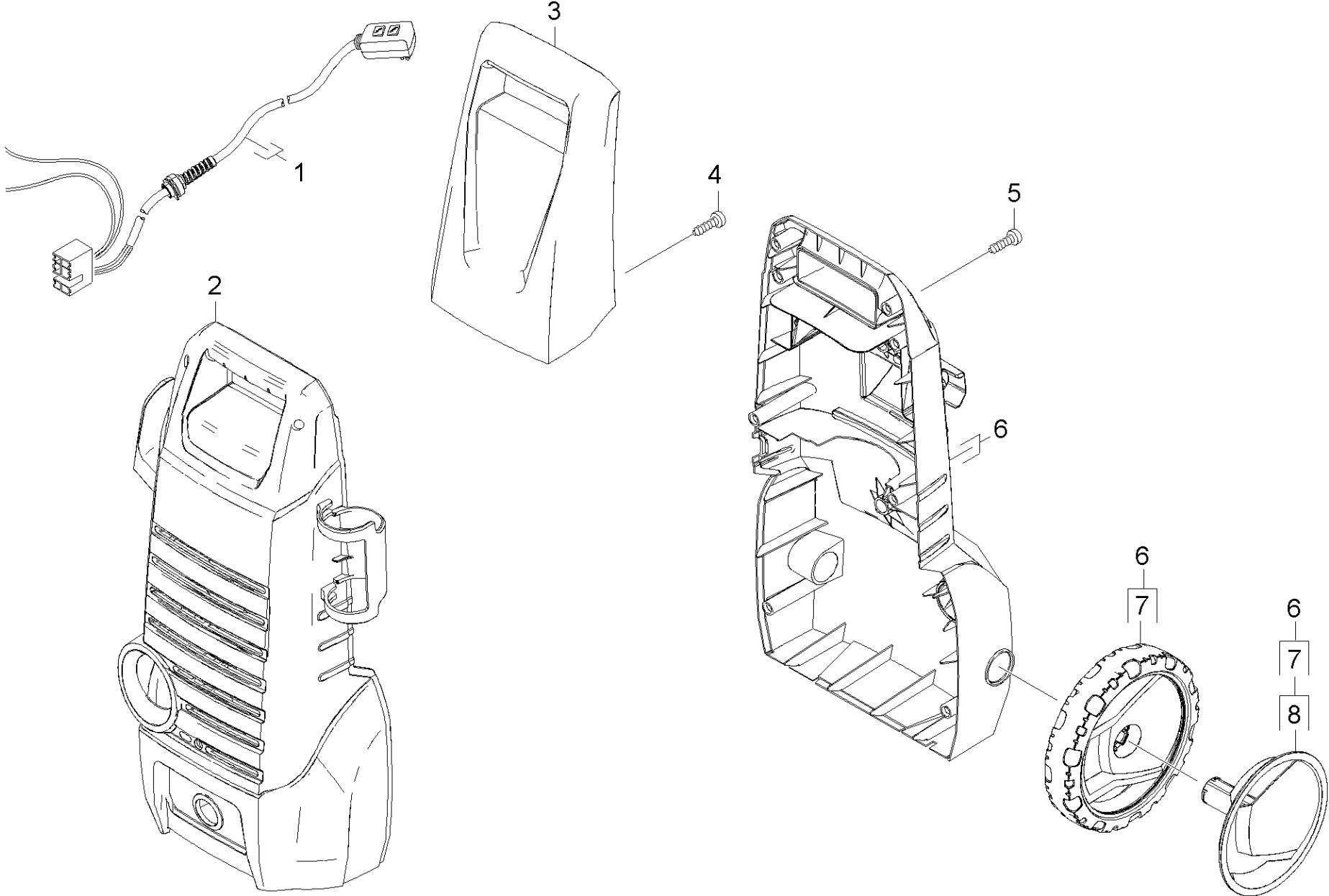
---

<b>Spare parts list K2.38 / K2.180 (5.970-841.0)</b> .....	6
10 Housing.....	7
20 Pump set.....	9
21 Housing.....	10
22 Thrust guidance.....	13
30 Motor.....	15
40 Accessories.....	17
41 Hand trigger gun.....	18
42 Hand trigger gun.....	20
4 HK 7.5 high pressure hose set (2.641-828.0).....	22
0 G 160 Q pistol Quick Connect (2.642-172.0).....	24
43 Hand trigger gun.....	26
0 G 160 Q pistol Quick Connect (2.642-172.0).....	28
44 Hand trigger gun.....	30
0 G 160 Q pistol Quick Connect (2.642-172.0).....	32
45 Hand trigger gun.....	34
1 Pistol Entry (4.775-830.0).....	36
46 Jet pipe.....	38
2 VPS K2 0287 (4.760-723.0).....	40
3 Dirt blaster K2 0295 St (4.764-244.0).....	42

**Spare parts list K2.38 / K2.180 (5.970-841.0)**

---

<b>Pos</b>	<b>Name</b>	<b>Qty.</b>	<b>Unit</b>
10	Housing	1.000	ST
20	Pump set	1.000	ST
30	Motor	1.000	ST
40	Accessories	1.000	ST



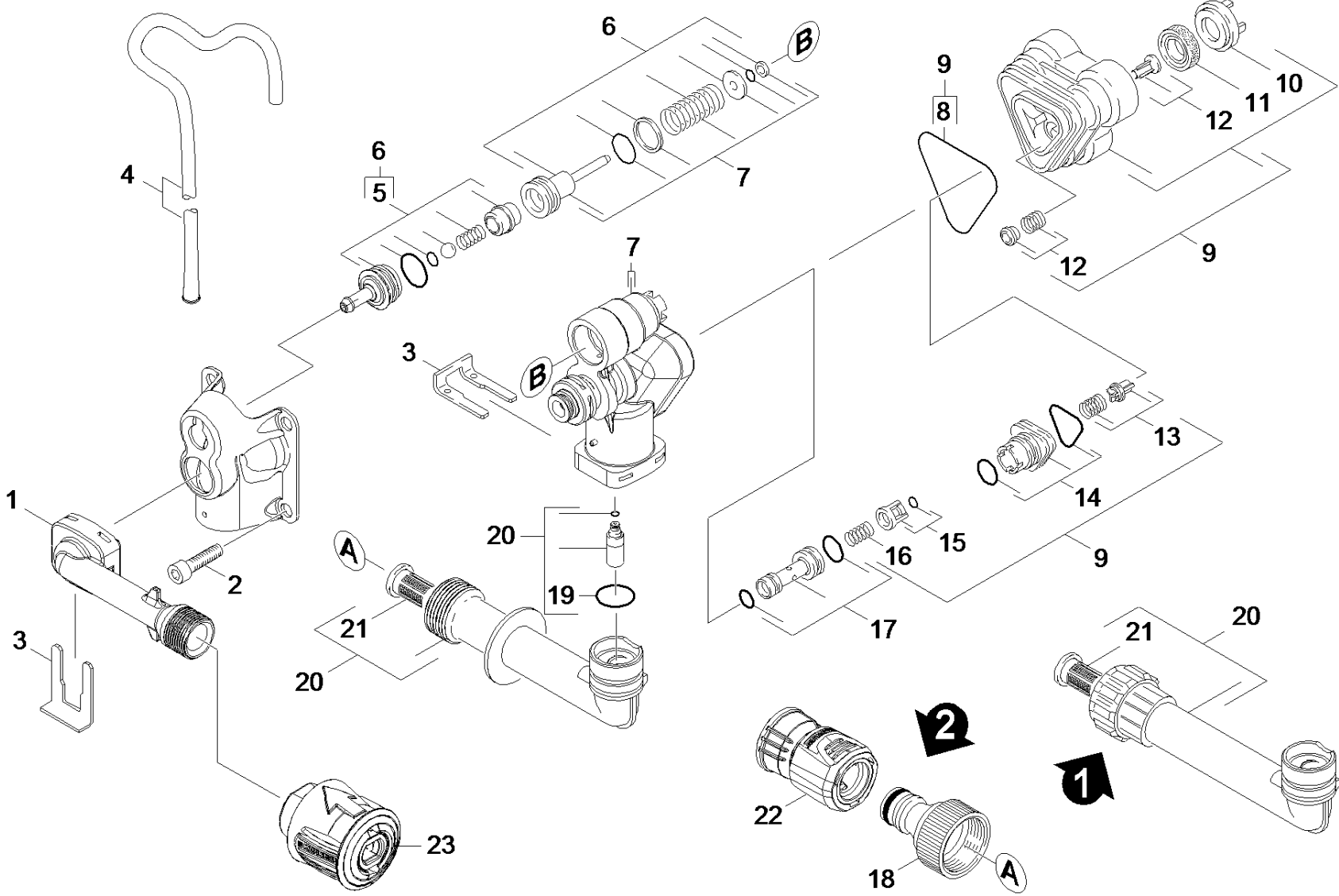
## 10 Housing

Pos	Material #	Name	Qty.	Unit	Footnote text
1	9.776-010.0	Cable with plug *AU	1.000	ST	
Position text: 1.601-184.0					
1	9.755-219.0	Cable comp. Multiconnector spare part*JP	1.000	ST	
Position text: 1.601-185.0					
1	9.755-185.0	Cable complete replacement	1.000	ST	
Position text: 1.601-180.0 /-186.0					
2	9.760-524.0	Housing pair with print K2.38M	1.000	ST	
3	9.755-238.0	Hand grip spare part	1.000	ST	
4	9.086-203.0	Screw 4x22	2.000	ST	
5	9.086-173.0	Screw Hi-Lo d.4x22 Torx-d.7,5	6.000	ST	
6	9.755-137.0	Housing pair with wheels K2.38M	1.000	ST	
7	4.515-282.0	Wheel set replacement 160 Hummer	1.000	ST	SET OF 2 PIECES
8	4.515-289.0	Screen yellow replacement 160 Hummer	2.000	ST	SET OF 2 PIECES

## 20 Pump set

---

Pos	Name	Qty.	Unit
21	Housing	1.000	ST
22	Thrust guidance	1.000	ST



## 21 Housing

Pos	Material #	Name	Qty.	Unit	Footnote text
1	9.755-169.0	Connection delivery side replacement	1.000	ST	
2	7.306-151.0	Cylinder head screw M8x65 -8.8-A2E ISO4	4.000	ST	
3	9.039-148.0	Metal fork	2.000	ST	
4	9.011-911.0	Filter cleaning agents W107/207	1.000	ST	
5	9.755-183.0	Nipple chemistry spare part - straight	1.000	ST	
6	9.755-270.0	Pressostat piston and detergent fitting	1.000	ST	
7	9.755-281.0	Manifold with pressostat spring assem.	1.000	ST	
8	9.081-422.0	Form seal	1.000	ST	
9	9.755-282.0	H.P. head cpl. spare part neu	1.000	ST	
10	9.755-271.0	Water sealing spacer spare part	3.000	ST	
11	6.362-875.0	Grooved ring	3.000	ST	
12	9.755-273.0	Inlet valve spring with washer spare p	3.000	ST	
13	9.755-274.0	Outlet valve with spring spare part	1.000	ST	
14	9.755-275.0	Connecting bushing assembly spare part	1.000	ST	
15	9.755-276.0	Back flow valve assembly spare part	1.000	ST	
16	9.755-277.0	Back flow valve spring spare part	1.000	ST	
17	9.755-278.0	Venturi nozzle d1,6 assem.	1.000	ST	
18	6.465-031.0	Connection 3/4	1.000	ST	
19	9.755-279.0	O-Ring seal d.20,5x2,2 NBR 7 spare part	1.000	ST	
20	9.755-109.0	Suction connection replacement +SV K2.21	1.000	ST	VERSION 1
20	9.755-123.0	Suction connection replacement K2.21 *EU	1.000	ST	
Position text: 1.601-184.0 /-185.0					
20	9.755-195.0	Inlet fitting replacement K2.21 *	1.000	ST	VERSION 2
Position text: 1.601-180.0 /-186.0					
21	9.755-280.0	Fine filter spare part	1.000	ST	

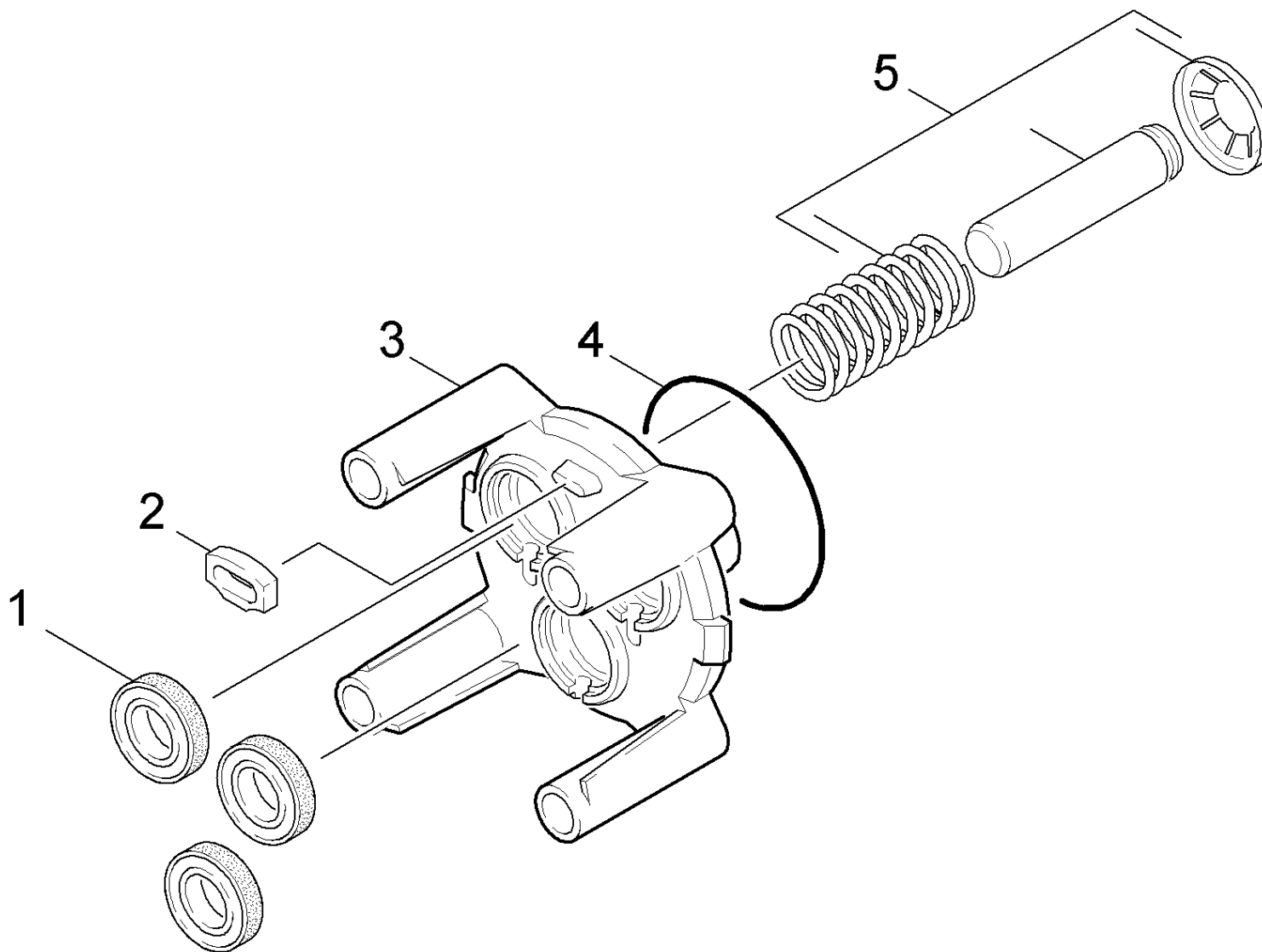


## 21 Housing

---

Pos	Material #	Name	Qty.	Unit	Footnote text
22	4.645-365.0	Coupler with label complete	1.000	ST	
Position text: 1.601-180.0 /-186.0					
23	4.470-041.0	High pressure quick-fitting pipe union A	1.000	ST	

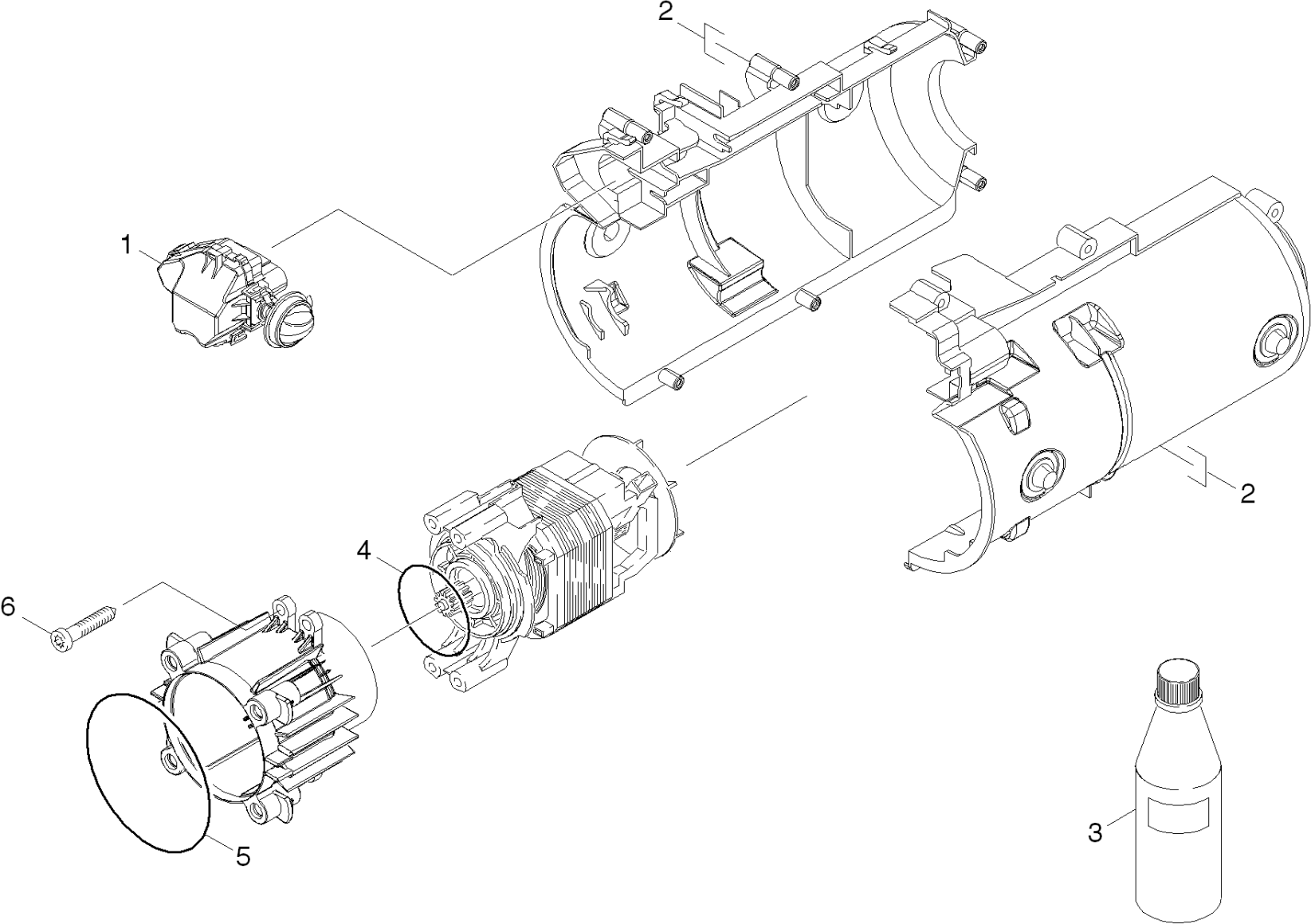
---



## 22 Thrust guidance

---

Pos	Material #	Name	Qty.	Unit	var. information
1	6.365-393.0	Oil sealing 12x20x4/6	3.000	ST	
2	9.048-071.0	Spacer - Seal	1.000	ST	
3	9.755-287.0	piston guide replacement	1.000	ST	
4	6.363-339.0	O-Ring seal 60x2,5 -NBR 80	1.000	ST	60 X 2,5
4	9.755-409.0	O-Ring seal	1.000	ST	64 X 2
5	9.755-284.0	Piston assembly spare part	3.000	ST	



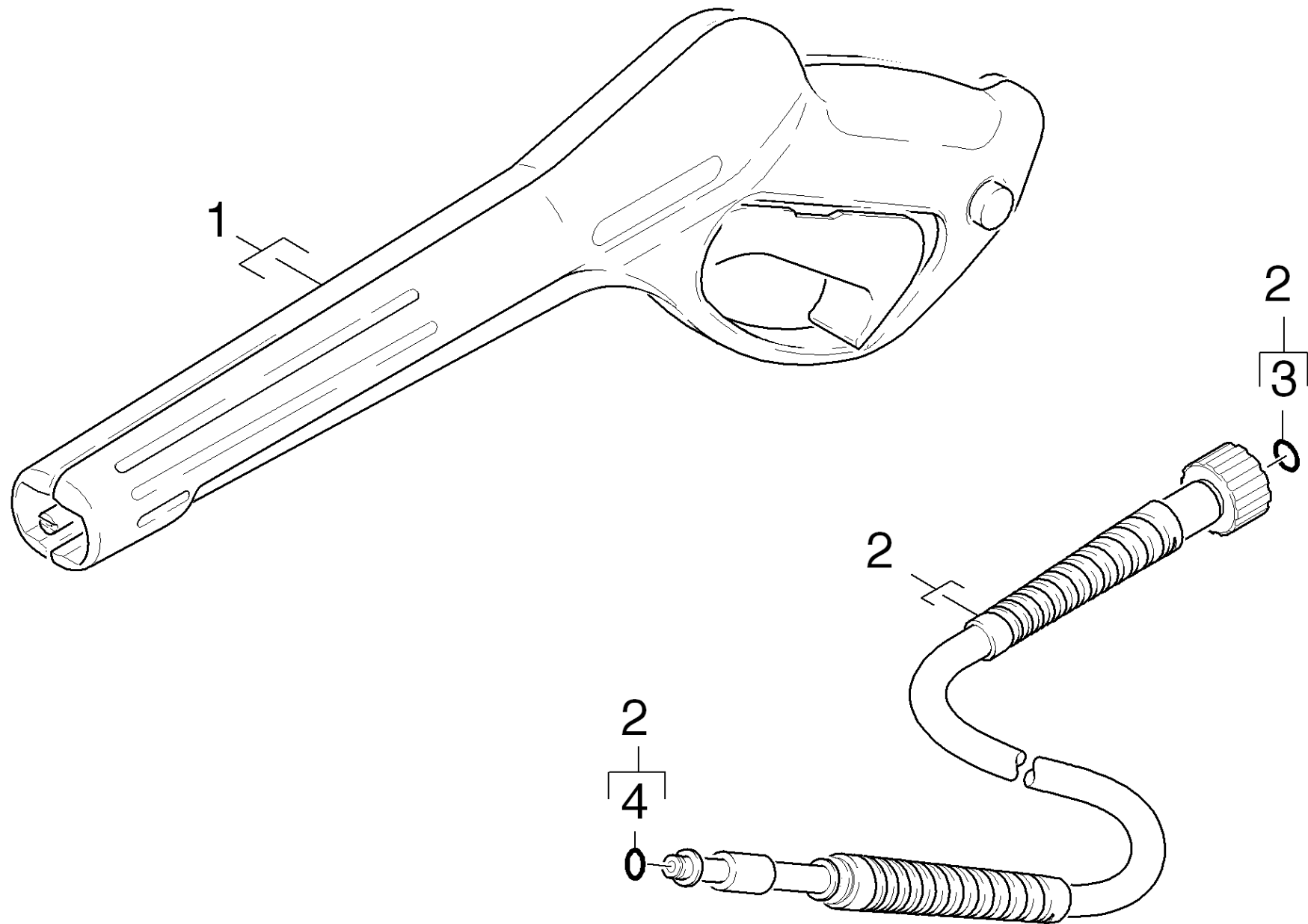
### 30 Motor

Pos	Material #	Name	Qty.	Unit	from ser.nr.	up to ser.nr.
1	9.755-342.0	Electric box complete replacement K 2.26	1.000	ST	0000000000	0000000000
Position text: 1.601-180.0 /-185.0 /-186.0						
1	9.755-347.0	Electric box	1.000	ST		
Position text: 1.601-184.0						
2	9.755-053.0	Housing motor replacement	1.000	ST		
Position text: 1.601-185.0						
2	9.755-059.0	Housing motor	1.000	ST		
Position text: 1.601-184.0						
2	9.755-030.0	Housing motor replacement V0 (CEN)	1.000	ST	0000000000	0000000000
Position text: 1.601-180.0 /-186.0						
3	6.288-112.0	Engine oil 1L	1.000	ST	0000000000	0000000000
4	6.363-340.0	O-Ring 50 x 2,2 NBR 80	1.000	ST	0000000000	0000000000
5	6.363-339.0	O-Ring seal 60x2,5 -NBR 80	1.000	ST	0000000000	0000000000
6	6.303-260.0	Screw 5x26,4	4.000	ST	0000000000	0000000000

## 40 Accessories

---

Pos	Name	Qty.	Unit	var. information	Footnote text
41	Hand trigger gun	1.000	ST	VERSION 1	
42	Hand trigger gun	1.000	ST	VERSION 2	
43	Hand trigger gun	1.000	ST	VERSION 3	
44	Hand trigger gun	1.000	ST		VERSION 4
45	Hand trigger gun	1.000	ST		VERSION 5
46	Jet pipe	1.000	ST		

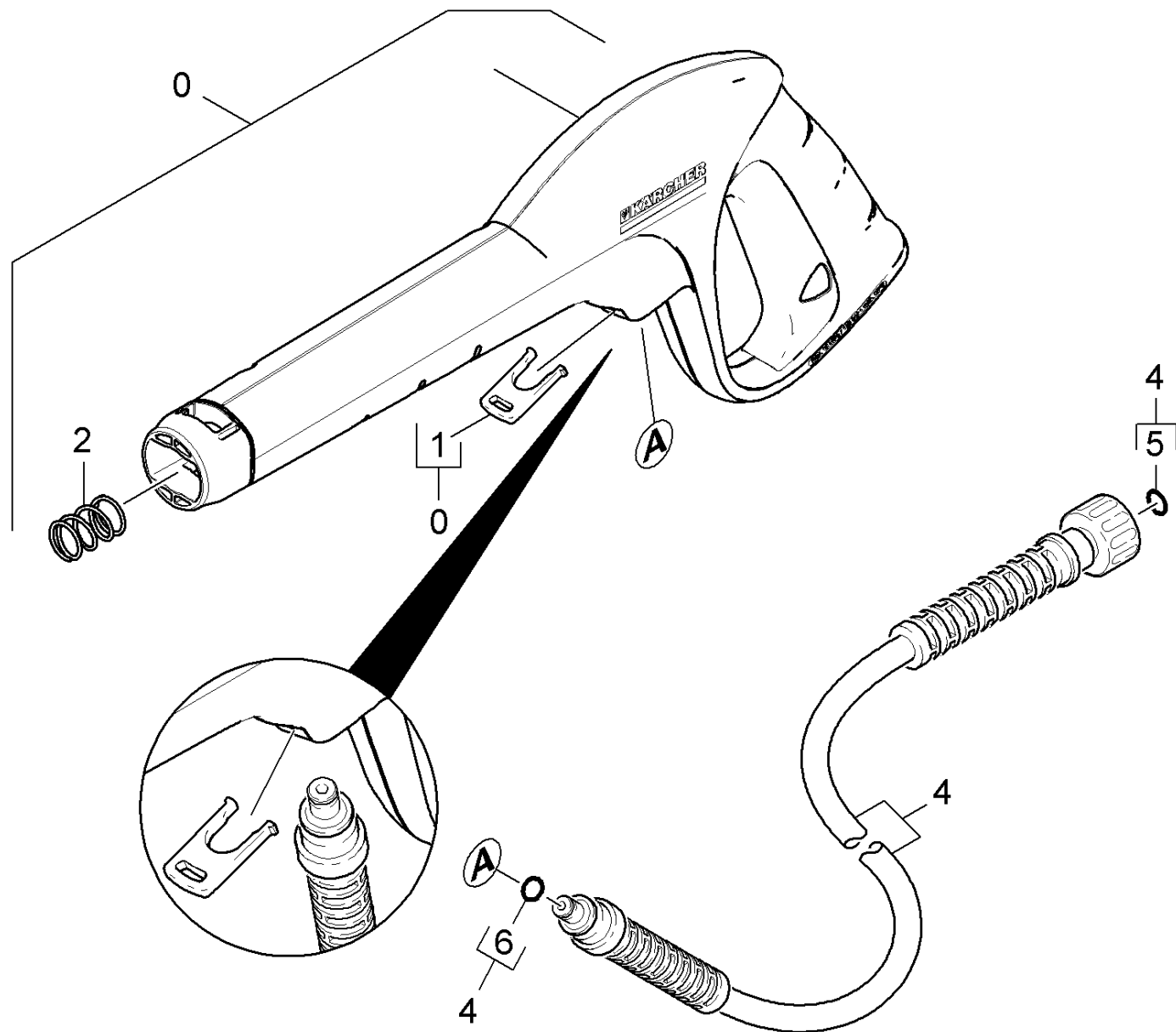


#### 41 Hand trigger gun

---

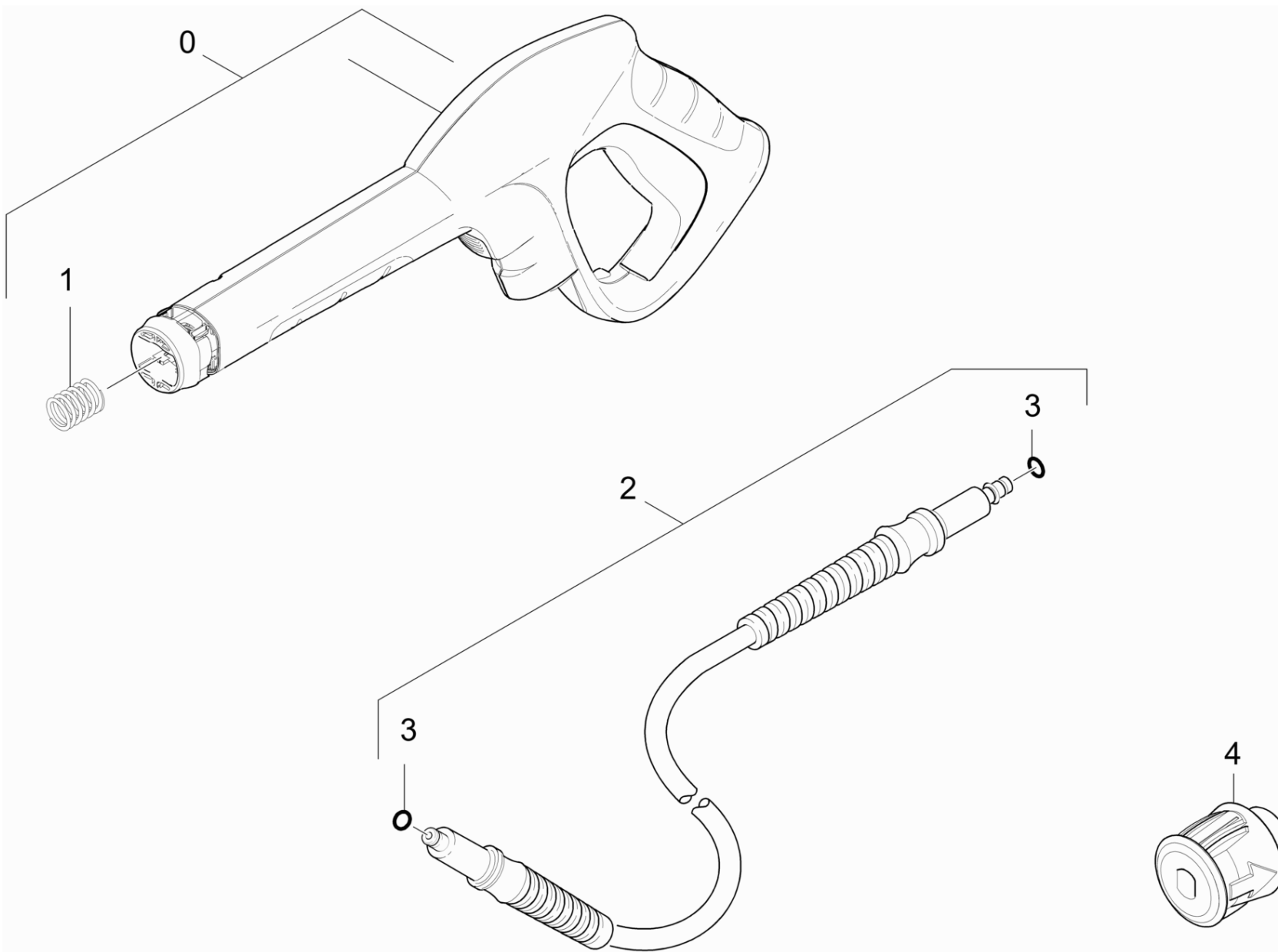
Pos	Material #	Name	Qty.	Unit	from ser.nr.	up to ser.nr.
1	4.775-331.0	Pistol replacement 97K	1.000	ST	0000000000	0000000000
2	6.391-571.0	High pressure hose 6/11MPA, neutr.,40G,M	1.000	ST	0000000000	0000000000
3	2.880-154.0	O-Ring kit	1.000	ST	0000000000	0000000000
4	6.362-498.0	O-Ring seal 6,75x1,78 NBR 70	1.000	ST	0000000000	0000000000





## 42 Hand trigger gun

Pos	Material #	Name	Qty.	Unit	var. information
0	2.641-959.0	G 160 pistol	1.000	ST	
1	5.037-185.0	Clamp	1.000	ST	
2	5.332-464.0	Pressure spring	1.000	ST	
4	6.392-227.0	High pressure hose 12MPa/6 40°C NG B	1.000	ST	( 9m )
Position text: 1.601-185.0					
4	2.641-828.0	HK 7.5 high pressure hose set	1.000	ST	( 6m )
Position text: 1.601-180.0 /-184.0					
5	2.880-990.0	Spare part set O-Ring 5x -Kaercher	1.000	ST	
6	6.362-498.0	O-Ring seal 6,75x1,78 NBR 70	1.000	ST	



**4 HK 7.5 high pressure hose set (2.641-828.0)**

---

<b>Pos</b>	<b>Material #</b>	<b>Name</b>	<b>Qty.</b>	<b>Unit</b>
0	2.642-172.0	G 160 Q pistol Quick Connect	1.000	ST
1	5.332-464.0	Pressure spring	1.000	ST
2	2.641-721.0	H 9 Q high pressure hose Quick Connect	1.000	ST
3	6.363-410.0	O-Ring seal 5,7x1,78 NBR 90Shore	2.000	ST
4	4.470-041.0	High pressure quick-fitting pipe union A	1.000	ST

---

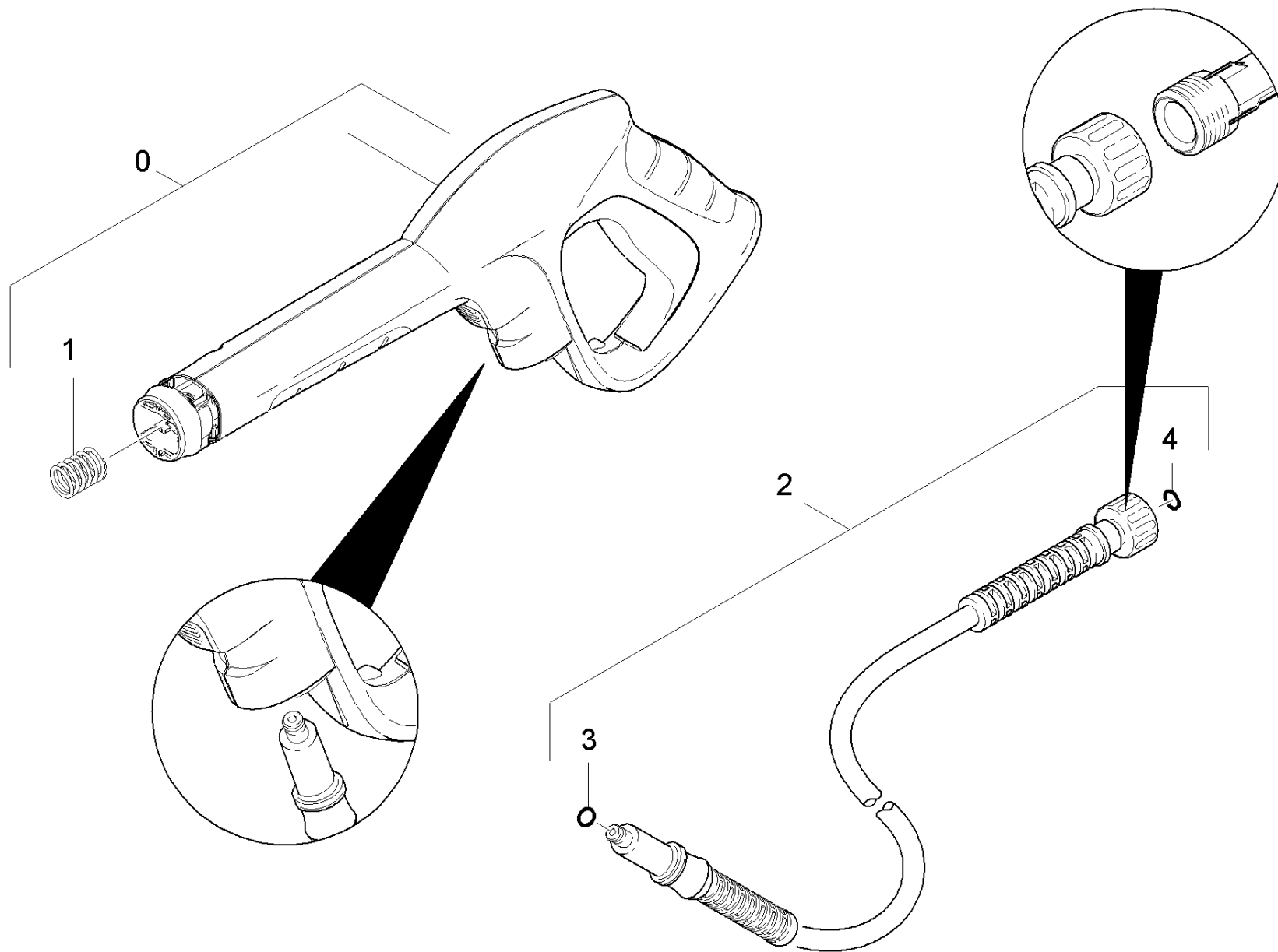


**0 G 160 Q pistol Quick Connect (2.642-172.0)**

---

<b>Pos</b>	<b>Material #</b>	<b>Name</b>	<b>Qty.</b>	<b>Unit</b>
1	5.332-464.0	Pressure spring	1.000	ST

---



### 43 Hand trigger gun

---

Pos	Material #	Name	Qty.	Unit
0	2.642-172.0	G 160 Q pistol Quick Connect	1.000	ST
1	5.332-464.0	Pressure spring	1.000	ST
2	6.392-352.0	High pressure hose 12MPa/7.5 40°C NQC B	1.000	ST
3	6.363-410.0	O-Ring seal 5,7x1,78 NBR 90Shore	1.000	ST
4	2.880-990.0	Spare part set O-Ring 5x -Kaercher	1.000	ST

---



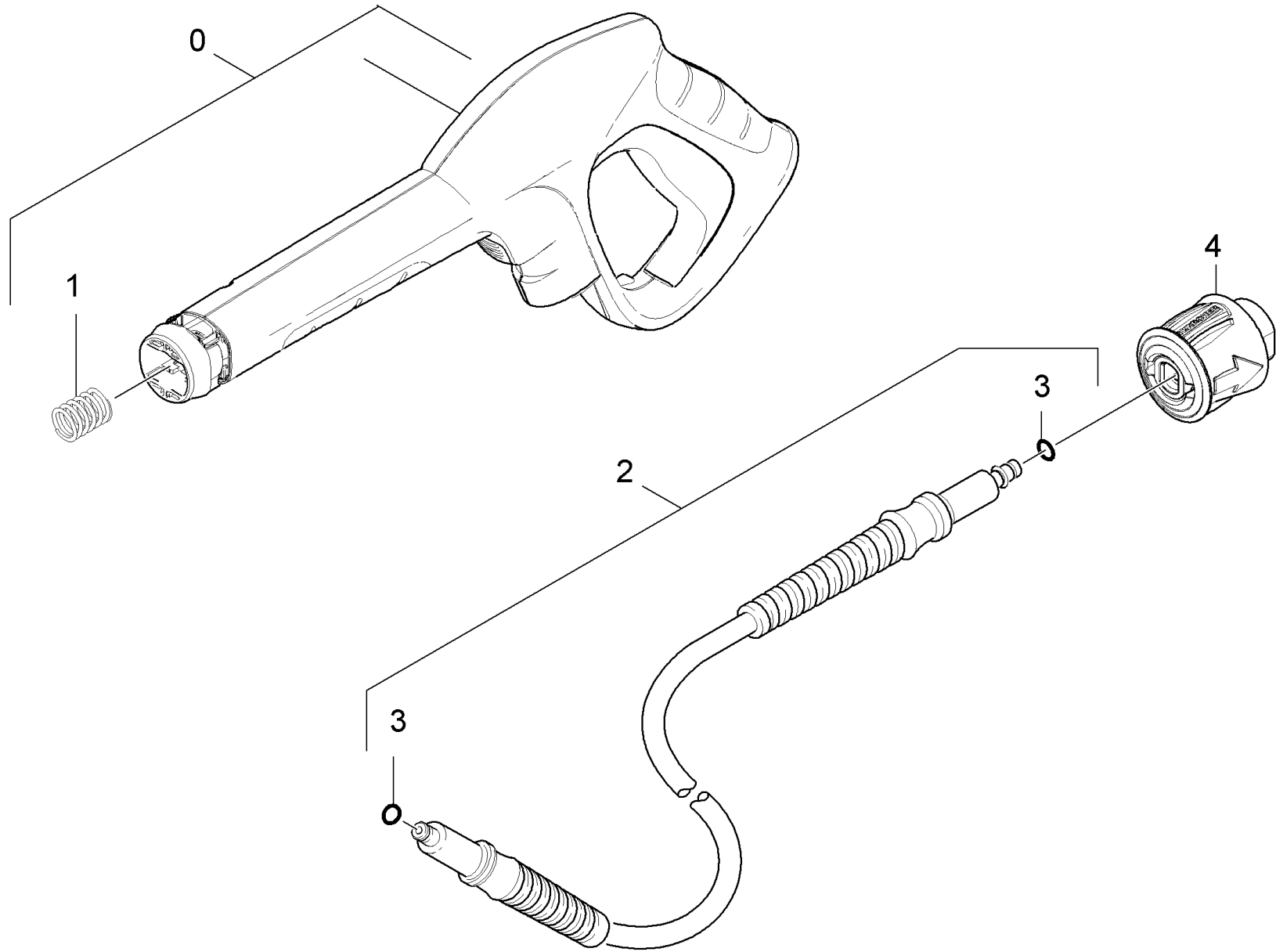


**0 G 160 Q pistol Quick Connect (2.642-172.0)**

---

Pos	Material #	Name	Qty.	Unit
1	5.332-464.0	Pressure spring	1.000	ST

---



#### 44 Hand trigger gun

---

Pos	Material #	Name	Qty.	Unit
0	2.642-172.0	G 160 Q pistol Quick Connect	1.000	ST
1	5.332-464.0	Pressure spring	1.000	ST
2	6.392-966.0	High pressure hose 12MPa/10 40°C QC B	1.000	ST
3	6.363-410.0	O-Ring seal 5,7x1,78 NBR 90Shore	2.000	ST
4	4.470-041.0	High pressure quick-fitting pipe union A	1.000	ST

---

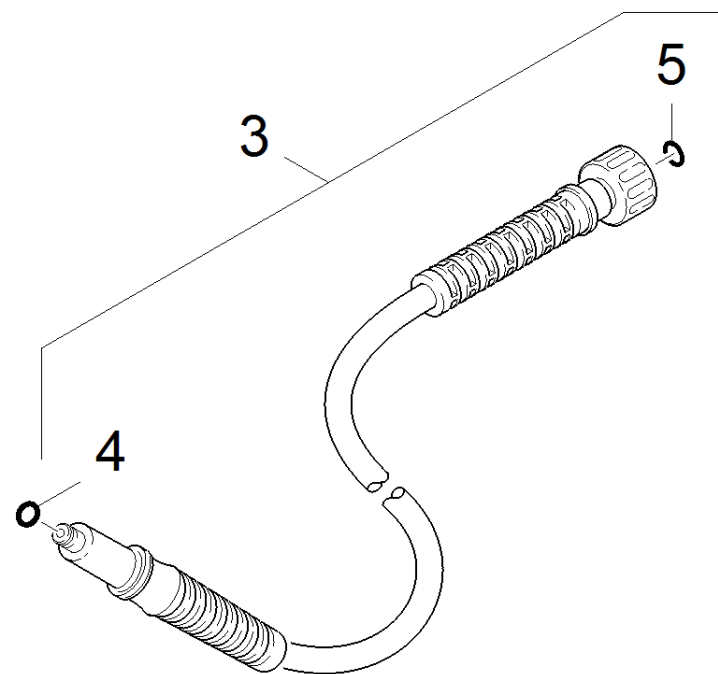
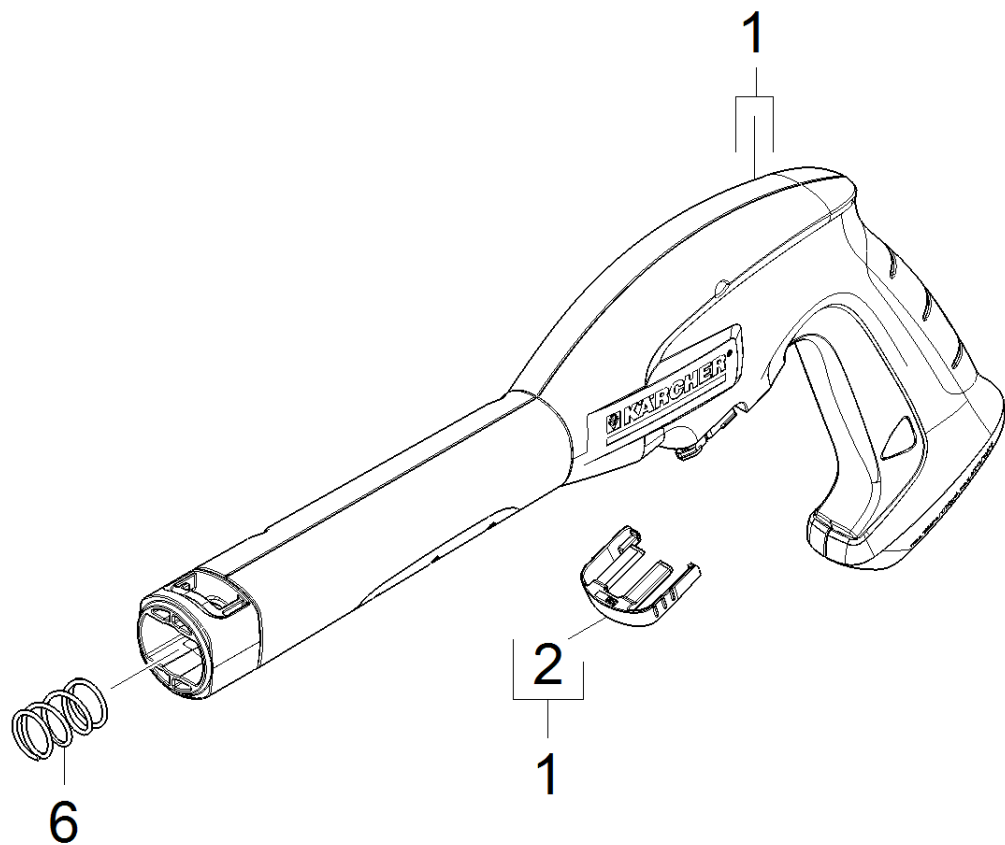


**0 G 160 Q pistol Quick Connect (2.642-172.0)**

---

Pos	Material #	Name	Qty.	Unit
1	5.332-464.0	Pressure spring	1.000	ST

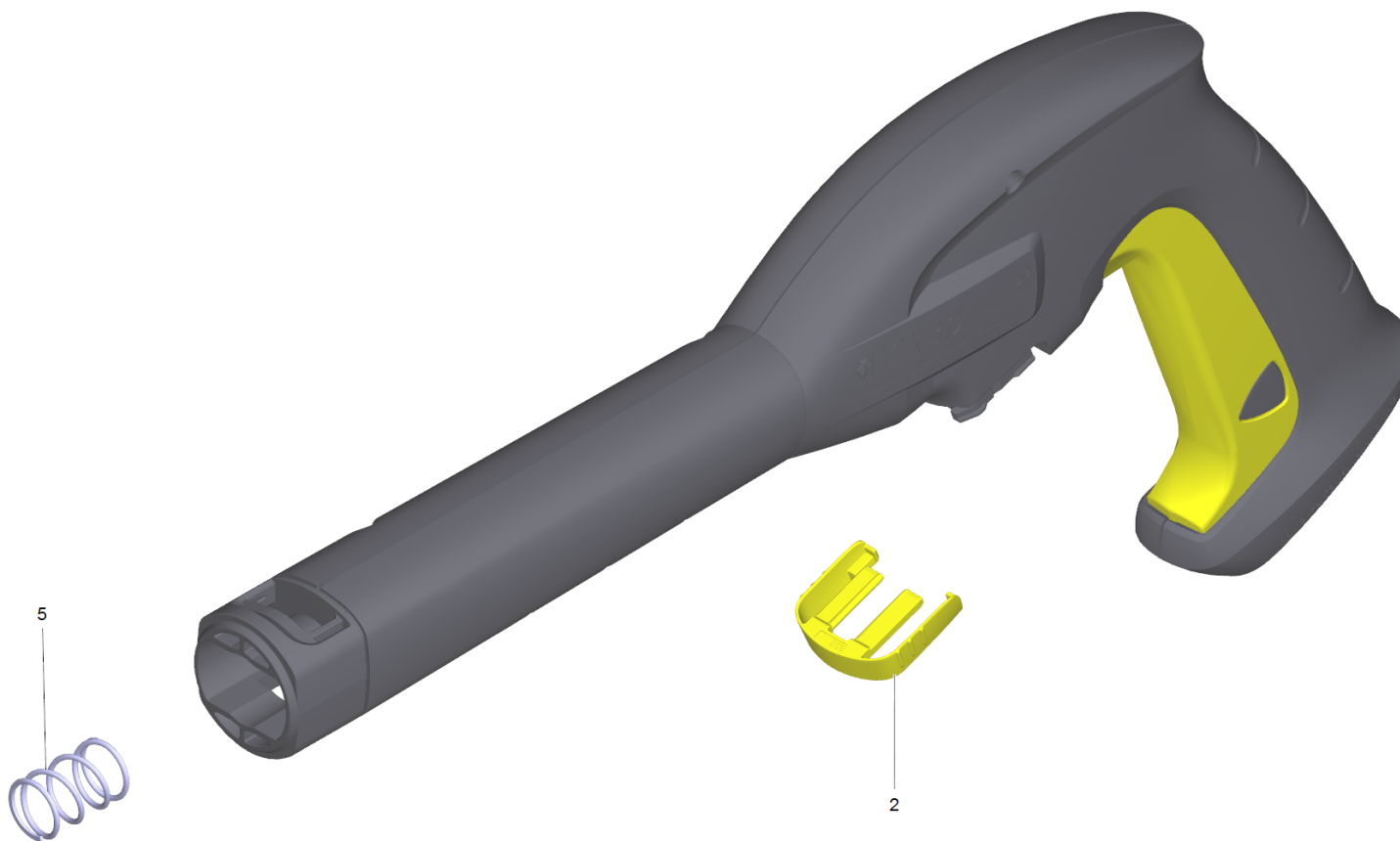
---



#### 45 Hand trigger gun

ET/VT (spare/wear parts)	Pos	Material #	Name	Qty.	Unit
	1	4.775-830.0	Pistol Entry	1.000	ST
X	2	5.037-333.0	Clamp pistol Entry	1.000	ST
X	3	6.396-228.0	High pressure hose 12MPa/10 40°C NQC B	1.000	ST
	4	6.363-410.0	O-Ring seal 5,7x1,78 NBR 90Shore	1.000	ST
	5	2.880-990.0	Spare part set O-Ring 5x -Kaercher	1.000	ST
	6	5.332-464.0	Pressure spring	1.000	ST

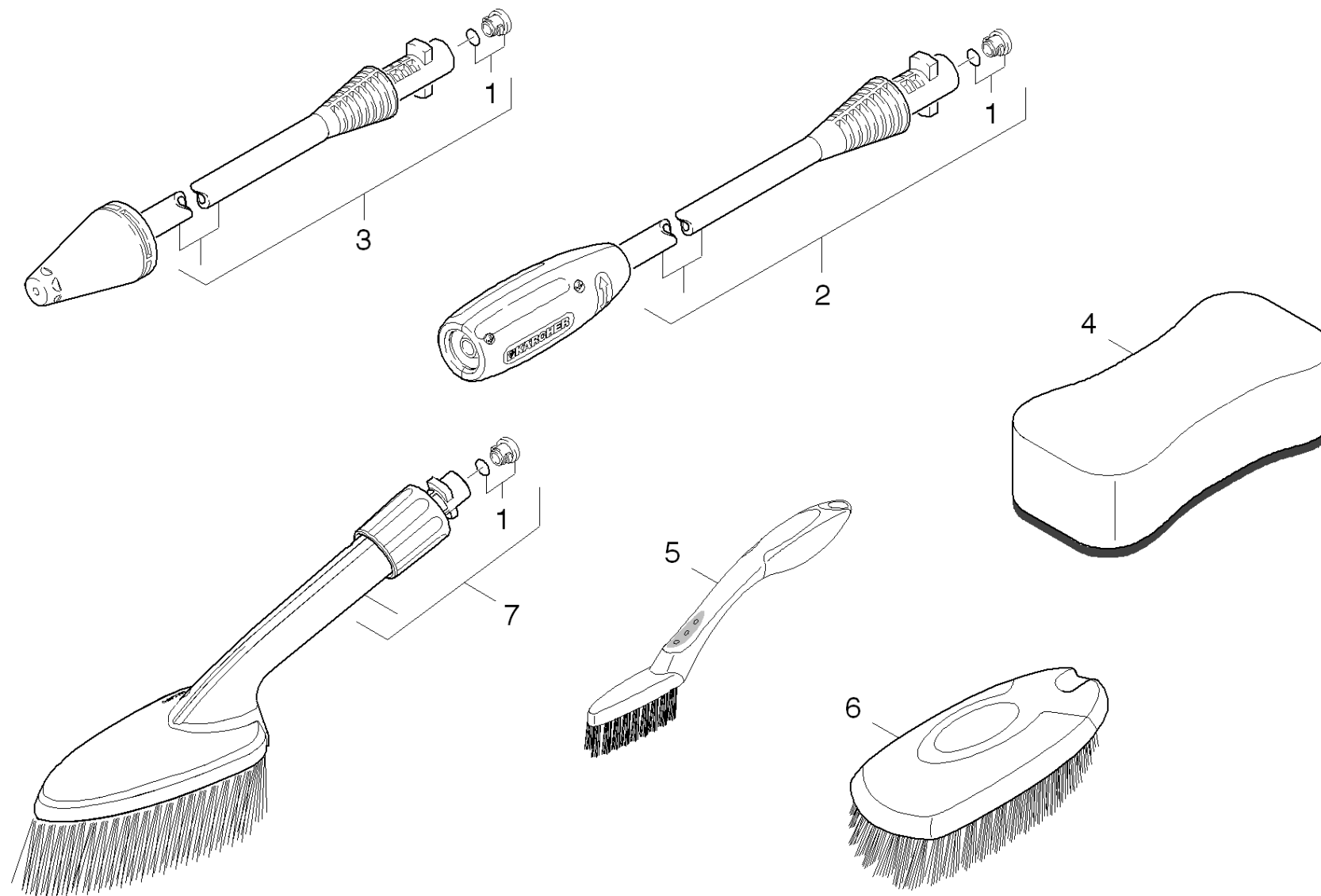




**1 Pistol Entry (4.775-830.0)**

---

ET/VT (spare/wear parts)	Pos	Material #	Name	Qty.	Unit
X	2	5.037-333.0	Clamp pistol Entry	1.000	ST
	5	5.332-464.0	Pressure spring	1.000	ST



## 46 Jet pipe

ET/VT (spare/wear parts)	Pos	Material #	Name	Qty.	Unit	from ser.nr.	up to ser.nr.
	1	2.640-729.0	O-Ring seal set	1.000	ST	0000000000	0000000000
	2	4.760-723.0	VPS K2 0287	1.000	ST		
Position text: 1.601-184.0 /-185.0							
X	2	4.760-601.0	VPS K2 021 K	1.000	ST	0000000000	0000000000
Position text: 1.601-180.0 /-186.0							
	3	4.764-244.0	Dirt blaster K2 0295 St	1.000	ST		
Position text: 1.601-184.0 /-185.0							
	3	4.764-243.0	Dirt blaster K2 027 St	1.000	ST	0000000000	0000000000
Position text: 1.601-180.0 /-186.0							
	4	9.760-473.0	Sponge	1.000	ST		
Position text: 1.601-180.0							
	5	9.760-476.0	rim brush	1.000	ST		
Position text: 1.601-180.0							
	6	9.760-477.0	brush-bristle	1.000	ST		
Position text: 1.601-180.0							
	7	2.640-589.0	Brush lengthwise	1.000	ST		
Position text: 1.601-180.0							

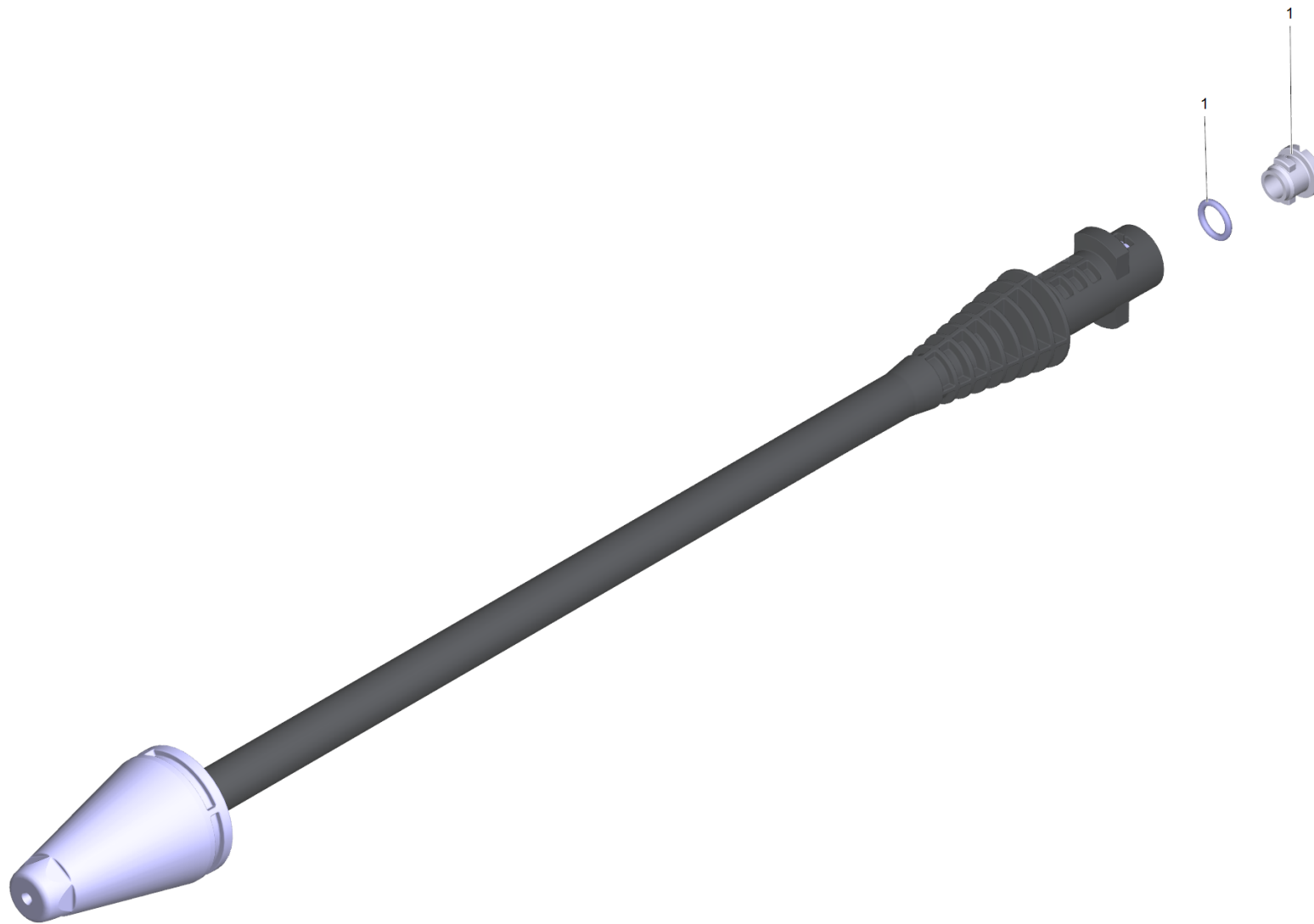


2 VPS K2 0287 (4.760-723.0)

---

Pos	Material #	Name	Qty.	Unit
1	2.640-729.0	O-Ring seal set	1.000	ST

---



**3 Dirt blaster K2 0295 St (4.764-244.0)**

---

Pos	Material #	Name	Qty.	Unit
1	2.640-729.0	O-Ring seal set	1.000	ST

---